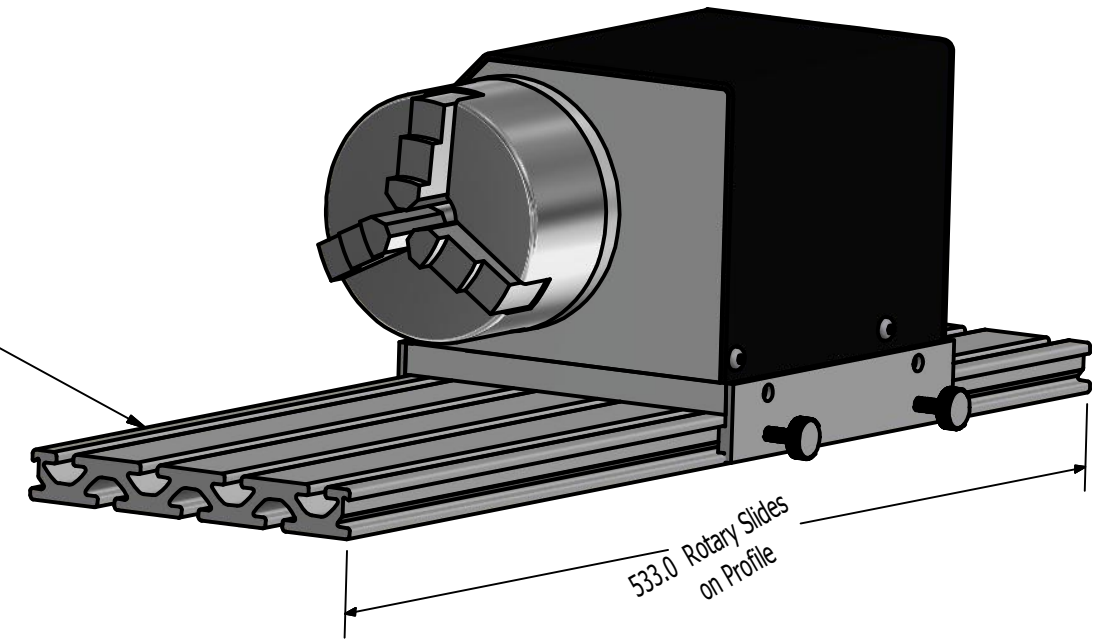
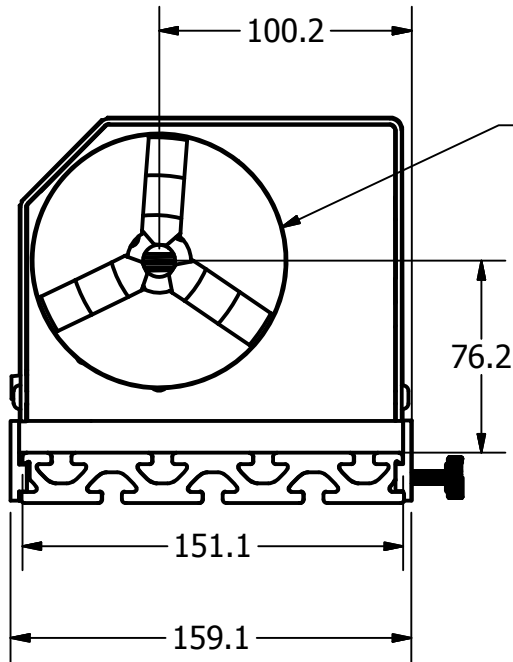


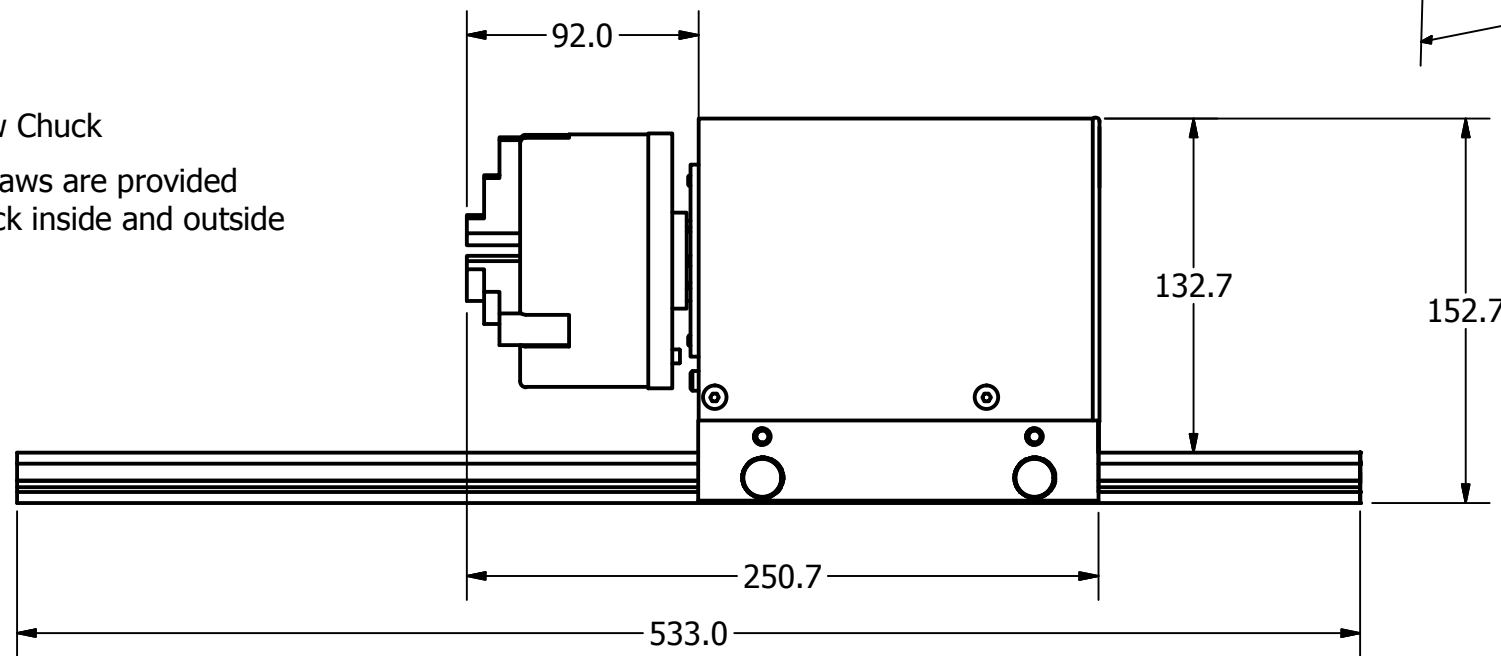
TABLE			
Column 1	Column 2	Column 3	Column 4
Chuck	Outside Jaws	Outside Jaws	Inside Jaws
	OD Clamping	ID Clamping	OD Clamping
100mm	2-30mm	30-90mm	30-80mm



Profile bolts to tool post bedplate or Zeta bedplate



100mm 3 Jaw Chuck  
Two sets of jaws are provided with the chuck inside and outside



**Confidential and Proprietary**

DRAWN tstrawser		6/25/2014	<b>Tykma Technologies</b>	
CHECKED C Grimes		6/25/14		
QA D Igou		6/25/14		
MFG C Tipton		6/25/14		
APPROVED J Brown		6/25/14		
TITLE			<b>SR 380 Rotary</b>	
Finish		SIZE <b>B</b>		
Material		SCALE	SHEET 1 OF 1	